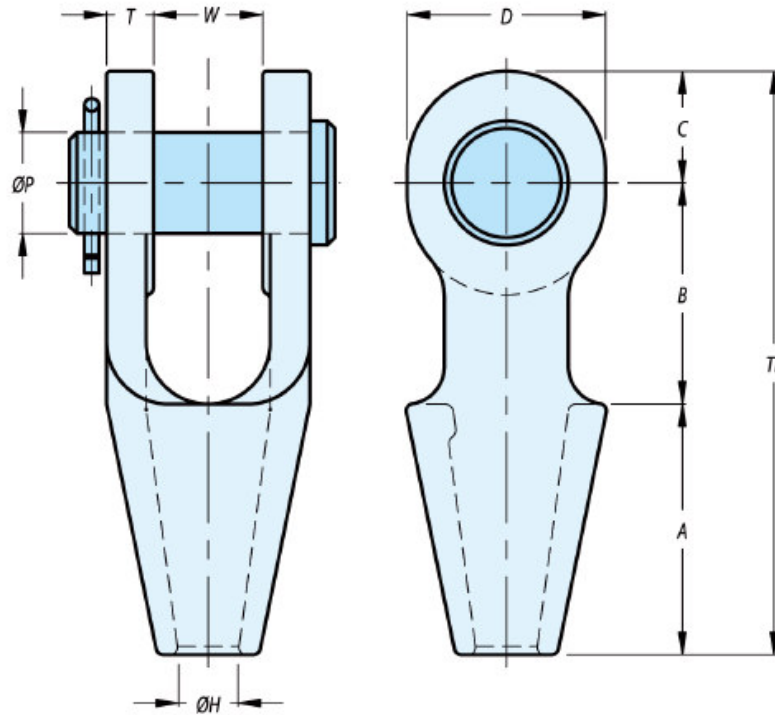




ALLOY CAST STEEL OPEN SPELTER SOCKET



Model No.	MBL (tons)	for wire ϕ		Dimensions (mm)									Weight (kgs)
		(mm)	(inch)	A	B	C	D	H	P	T	TL	W	
OSS 198	20	11 - 13	$7/16 - 1/2$	64	51	27	50	14	25	12	142	25	1
OSS 199	25	14 - 16	$9/16 - 5/8$	76	63	32	58	17,5	30	14	171	32	1,8
OSS 100	40	18 - 19	$3/4$	89	76	40	70	21	35	16	205	38	3,2
OSS 104	55	20 - 22	$7/8$	101	89	45	80	24	41	19	235	44	4,6
OSS 108	75	23 - 26	1	114	101	60	104	28	51	22	275	51	8
OSS 111	90	27 - 30	$1 1/8$	127	114	65	114	32	57	25	306	57	11
OSS 115	125	31 - 36	$1 1/4 - 1 3/8$	139	127	72	126	38	63	28	338	63	16
OSS 118	150	37 - 39	$1 1/2$	152	162	80	142	41	70	30	394	76	23
OSS 120	170	40 - 42	$1 5/8$	165	165	88	152	44	76	33	418	76	27
OSS 125	225	43 - 48	$1 3/4 - 1 7/8$	190	178	100	176	51	89	39	468	89	41
OSS 128	280	49 - 54	$2 - 2 1/8$	216	228	108	194	57	95	46	552	101	58
OSS 130	360	55 - 60	$2 1/4 - 2 3/8$	228	250	120	210	63	108	53	598	113	85
OSS 132	425	61 - 68	$2 1/2 - 2 5/8$	248	273	133	236	73	121	60	654	127	118
OSS 135	460	69 - 75	$2 3/4 - 2 7/8$	279	279	138	240	79	127	73	696	133	155
OSS 138	560	76 - 80	$3 - 3 1/8$	305	286	146	252	86	133	76	737	146	173
OSS 140	625	81 - 86	$3 1/4 - 3 3/8$	330	298	160	290	92	140	79	788	159	230
OSS 142	720	87 - 93	$3 1/2 - 3 5/8$	356	318	178	320	99	152	83	852	171	265
OSS 144	875	94 - 102	$3 3/4 - 5$	381	343	190	350	108	178	89	914	191	370
OSS 146	1200	108 - 115	$4 1/4 - 4 1/2$	450	480	215	400	125	195	100	1145	205	525
OSS 150	1300	120 - 130	$4 3/4 - 5$	500	500	280	560	138	250	110	1280	225	900

MBL = Minimum Breaking Load.

Standard painted blue, but can be supplied galvanised.

All sockets can be supplied with EN 10204/DIN 50049 3.1B certificate (no additional costs).

Other than 3.1B certificates on request and at additional costs.

