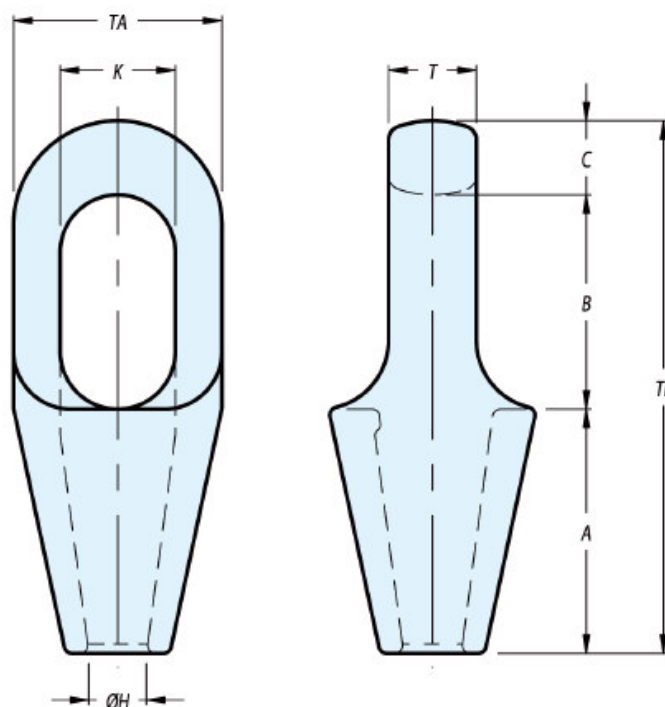


# ALLOY CAST STEEL CLOSED SPELTER SOCKETS



Model No.	MBL (tons)	for wire $\phi$		Dimensions (mm)								Weight (kgs)
		(mm)	(inch)	A	B	C	H	K	T	TA	TL	
CSS 298	20	11 - 13	$7/16 - 1/2$	63,5	59	17,5	14	30	22,5	51	140	0,7
CSS 299	25	14 - 16	$9/16 - 5/8$	76	65	21	17,5	36	26	67	162	1,3
CSS 200	40	18 - 19	$3/4$	89	78	27	21	42	32	76	194	2,1
CSS 201	55	20 - 22	$7/8$	101	90	33	24	47	38	92	224	3,6
CSS 204	75	23 - 26	1	114	103	36	28	57	44	104	253	5,3
CSS 207	90	27 - 30	$1 1/8$	127	116	39	32	63	51	114	282	7
CSS 212	125	31 - 36	$1 1/4 - 1 3/8$	139	130	43	38	70	57	127	312	9,7
CSS 215	150	37 - 39	$1 1/2$	152	155	51	41	79	63	136	358	13
CSS 217	170	40 - 42	$1 5/8$	165	171	54	44	83	70	146	390	17
CSS 219	225	43 - 48	$1 3/4 - 1 7/8$	190	198	55	51	93	76	171	443	26
CSS 222	280	49 - 54	$2 - 2 1/8$	216	224	62	57	100	82	193	502	37,5
CSS 224	360	55 - 60	$2 1/4 - 2 3/8$	228	247	73	63	112	92	216	548	50
CSS 226	425	61 - 68	$2 1/2 - 2 5/8$	248	270	79	73	140	102	241	597	65
CSS 227	460	69 - 75	$2 3/4 - 2 7/8$	279	286	79	79	159	124	273	644	94
CSS 228	560	76 - 80	$3 - 3 1/8$	305	298	83	86	171	133	292	686	110
CSS 229	625	81 - 86	$3 1/4 - 3 3/8$	330	311	102	92	184	146	311	743	145
CSS 230	720	87 - 93	$3 1/2 - 3 5/8$	356	330	102	99	197	159	330	788	168
CSS 231	875	94 - 102	$3 3/4 - 4$	381	356	108	108	216	178	362	845	210
CSS 233	1200	108 - 115	$4 1/4 - 4 1/2$	450	425	125	125	235	190	405	1000	330
CSS 240	1300	120 - 130	$4 3/4 - 5$	500	525	125	138	260	200	450	1150	500

MBL = Minimum Breaking Load.

Standard all sockets are painted blue, but can be supplied galvanised.

All sockets can be supplied with EN 10204/DIN 50049 3.1B certificate (no additional costs).

Other than 3.1B certificates on request and at additional costs.

