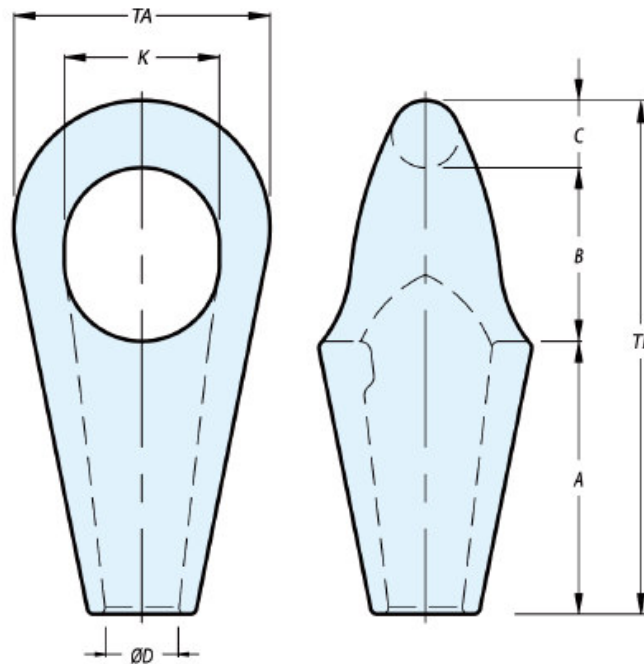




# HIGH ALLOY CAST STEEL SHORT BOW SOCKETS



Model No.	MBL (tons)	for wire $\varnothing$		Dimensions (mm)							Weight (kgs)
		(mm)	(inch)	A	B	C	D	K	TA	TL	
SBS 517	160	37 - 42	1 <sup>1</sup> / <sub>2</sub> - 1 <sup>5</sup> / <sub>8</sub>	162	103	40	44	92	127	305	9
SBS 519	200	43 - 48	1 <sup>3</sup> / <sub>4</sub> - 1 <sup>7</sup> / <sub>8</sub>	188	120	48	51	112	178	356	15
SBS 522	250	49 - 54	2 - 2 <sup>1</sup> / <sub>8</sub>	204	132	54	57	120	200	390	22
SBS 524	320	55 - 60	2 <sup>1</sup> / <sub>4</sub> - 2 <sup>3</sup> / <sub>8</sub>	230	148	62	63	135	220	440	27
SBS 526	400	61 - 68	2 <sup>1</sup> / <sub>2</sub> - 2 <sup>5</sup> / <sub>8</sub>	235	165	68	73	150	250	468	40
SBS 527	500	69 - 75	2 <sup>3</sup> / <sub>4</sub> - 2 <sup>7</sup> / <sub>8</sub>	287	178	75	79	164	274	540	54
SBS 528	600	76 - 80	3 - 3 <sup>1</sup> / <sub>8</sub>	314	195	76	86	175	295	585	75
SBS 529	700	81 - 86	3 <sup>1</sup> / <sub>4</sub> - 3 <sup>3</sup> / <sub>8</sub>	327	216	82	92	194	320	625	81
SBS 530	800	87 - 93	3 <sup>1</sup> / <sub>2</sub> - 3 <sup>5</sup> / <sub>8</sub>	358	220	92	99	202	350	670	115
SBS 531	900	94 - 102	3 <sup>3</sup> / <sub>4</sub> - 4	365	235	100	105	215	375	700	130
SBS 533	1000	108 - 115	4 <sup>1</sup> / <sub>4</sub> - 4 <sup>1</sup> / <sub>2</sub>	420	270	110	115	240	410	800	180

MBL = Minimum Breaking Load.

Standard painted blue.

All sockets can be supplied with EN 10204/DIN 50049 3.1B certificate (no additional costs).

Other than 3.1B certificates on request and at additional costs.