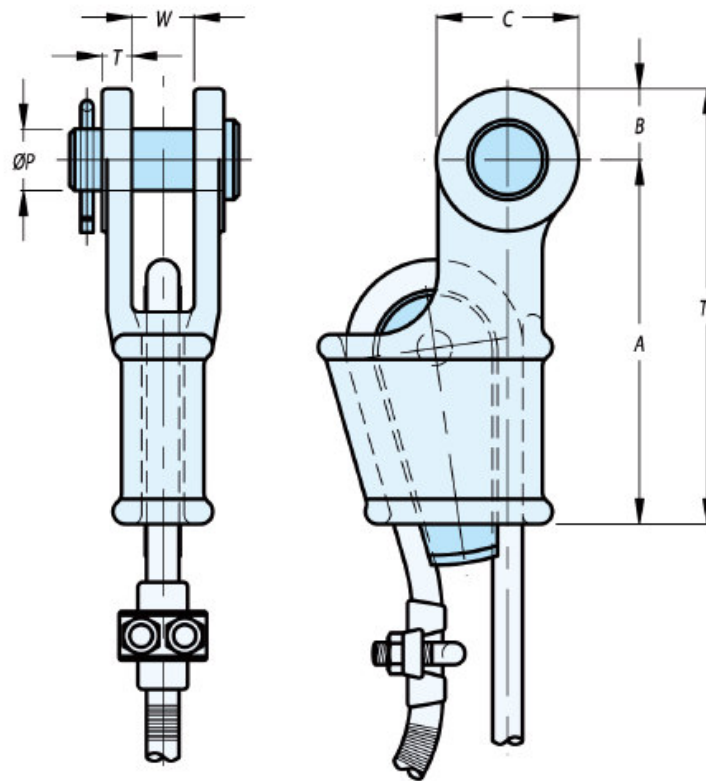




ALLOY CAST STEEL OPEN WEDGE SOCKET



Model No.	MBL (tons)	for wire ϕ		Dimensions (mm)							Weight (kgs)
		(mm)	(inch)	A	B	C	P	T	TL	W	
OWS 0,25	8	7 - 8	$\frac{5}{16}$	110	19	36	16	9	129	18	0,8
OWS 0,5	12	9 - 10	$\frac{3}{8}$	142	23	46	20,6	11	165	20,5	1,7
OWS 1	20	11 - 13	$\frac{1}{2}$	146	29	57	25	12	175	25	2,1
OWS 2	25	14 - 16	$\frac{5}{8}$	176	35	70	30	15	211	31	4
OWS 3	40	18 - 19	$\frac{3}{4}$	212	40	80	35	16	252	38	7
OWS 4	55	20 - 22	$\frac{7}{8}$	240	48	95	41	19	288	44	10
OWS 5	75	24 - 26	1	274	55	110	51	22	329	51	15
OWS 6	90	27 - 29	$1\frac{1}{8}$	310	65	130	57	25	375	57	21
OWS 7	110	30 - 32	$1\frac{1}{4}$	350	73	146	64	28	423	63	31
OWS 8	125	34 - 36	$1\frac{3}{8}$	400	74	148	64	28	474	69	37
OWS 9	150	37 - 39	$1\frac{1}{2}$	450	80	143	70	30	530	76	51
OWS 10	170	40 - 42	$1\frac{5}{8}$	500	87	160	76	33	587	76	64
OWS 11	225	43 - 48	$1\frac{3}{4}$ - $1\frac{7}{8}$	550	100	186	89	39	650	89	96
OWS 12	280	49 - 52	2	640	105	194	95	46	745	101	130
OWS 13	360	54 - 58	$2\frac{1}{4}$	660	125	230	108	54	785	114	180
OWS 14	425	60 - 68	$2\frac{1}{2}$	835	135	250	121	60	970	127	275
OWS 15	460	72 - 76	3	1000	150	270	133	76	1150	146	440
OWS 16	625	81 - 86	$3\frac{1}{4}$ - $3\frac{3}{8}$	1100	152	300	140	79	1252	159	510

MBL = Minimum Breaking Load.

Standard painted blue, but can be supplied galvanised.

All sockets can be supplied with EN 10204/DIN 50049 3.1B certificate (no additional costs).

Other than 3.1B certificates on request and at additional costs.